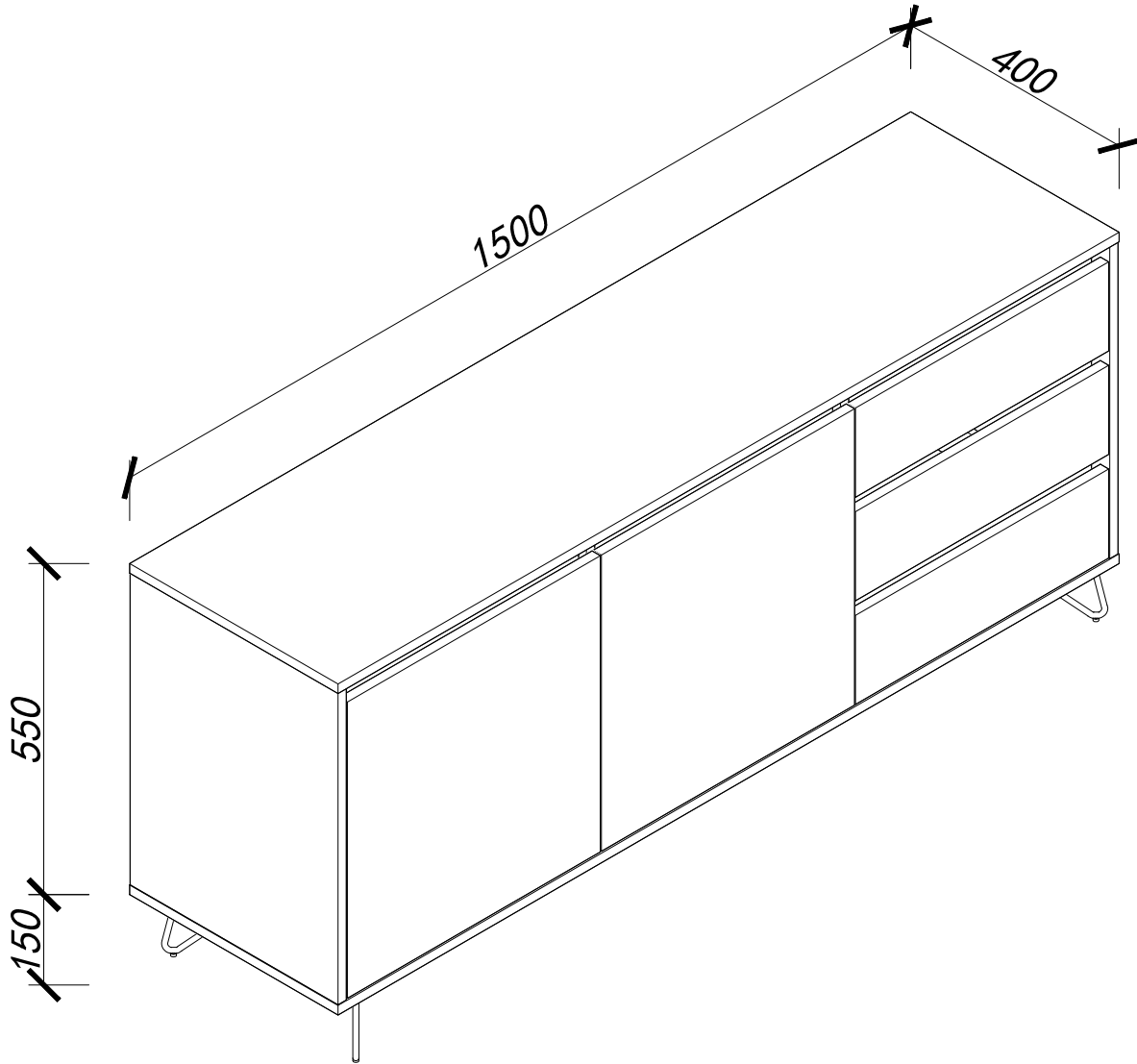


# ASSEMBLY INSTRUCTION

JARVIS Buffet

ITEM CODE 74679

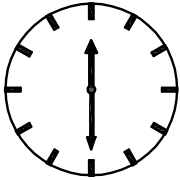
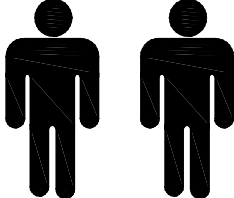
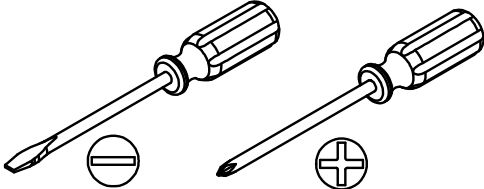


Imported by JWA Furniture Pty Ltd, Brisbane Qld, Australia.  
For any assistance with assembly or for missing parts please refer to your receipt

# PRE-ASSEMBLY PREPARATION

## Before you start:

1. Choose a clean, level, spacious assembly area. Avoid hard surfaces that may damage the product
2. Take care when lifting. Product should be assembled as near as possible to the point of use
3. Ensure that you have all required contents for complete assembly
4. Always read the assembly instructions carefully before beginning assembly.
5. Keep all hardware parts and packaging out of reach of small children.
6. Do not over tighten the screws and bolts as this may damage the threads
7. Assembly is to be carried out by a competent adult(s) ONLY
8. During assembly, children should be kept away from the product due to possible risk to injury.
9. Do not use this item if any components are missing or damaged.
10. Please keep the instructions for future reference.

		
Allow 60min	For 2 person	Additional tools required



## TIPPING WARNING





**Serious or fatal injuries may occur from furniture toppling over. To help avoid this please follow the below recommendations:**

- Install the provided "Tipping Kit" as per the instructions
- Never allow children to climb on or hang off of any part of this product
- Unless specifically designed to accommodate, do not set TVs or other heavy objects on top of this product

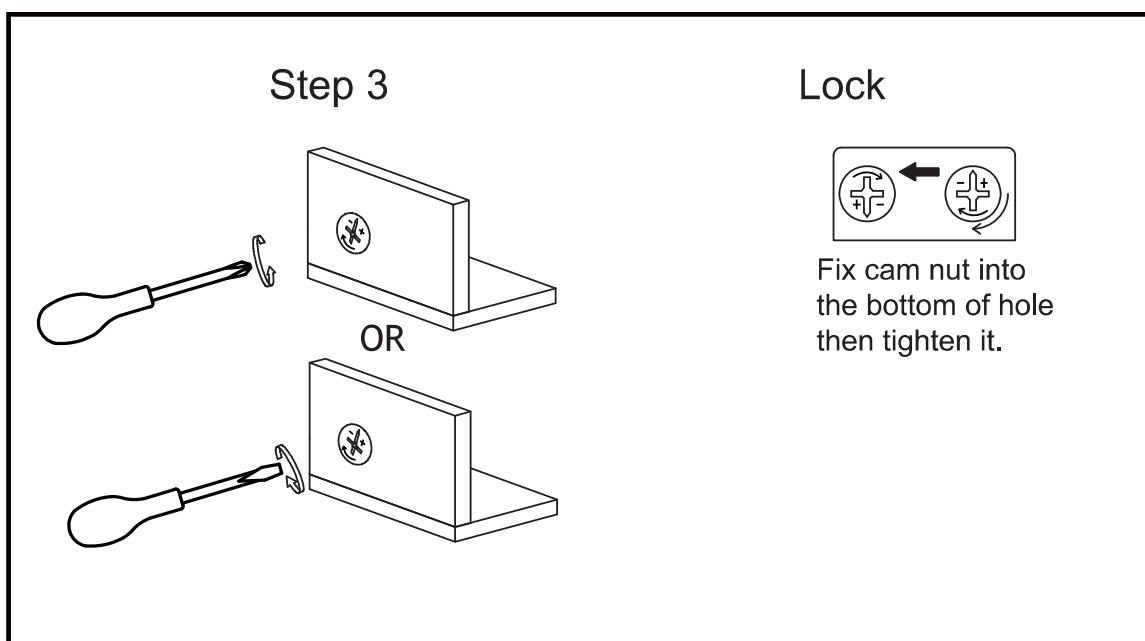
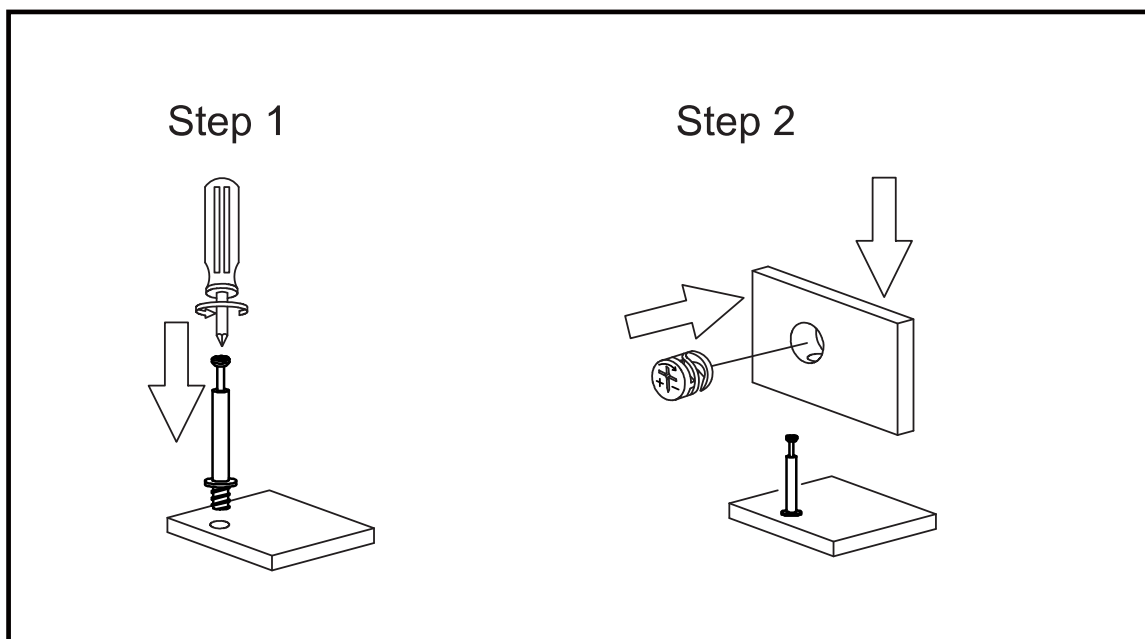
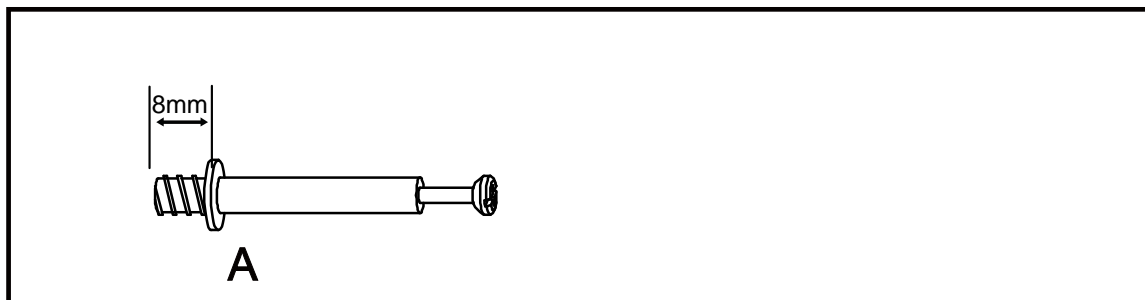
If this product has drawers:

- Place the heaviest items in lowest drawers
- Do not open more than 1 drawer at a time as this may cause the product to become unbalanced
- Do not tamper with or remove any drawer interlocking/running system




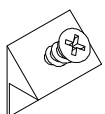
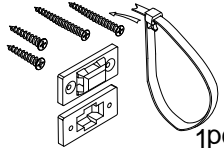


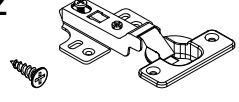
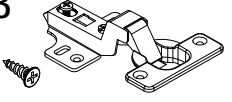
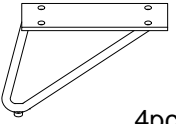
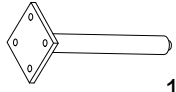
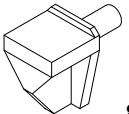
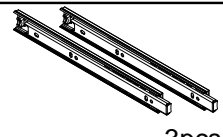


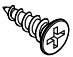


**Note: The use of the provided "Tipping Kit" may reduce but not necessarily eliminate the risk of furniture toppling over. Please use this product with caution.**

*This is a permanent label. Do not attempt to remove!*

# CAM LOCK INSTALL METHOD AS FOLLOWS

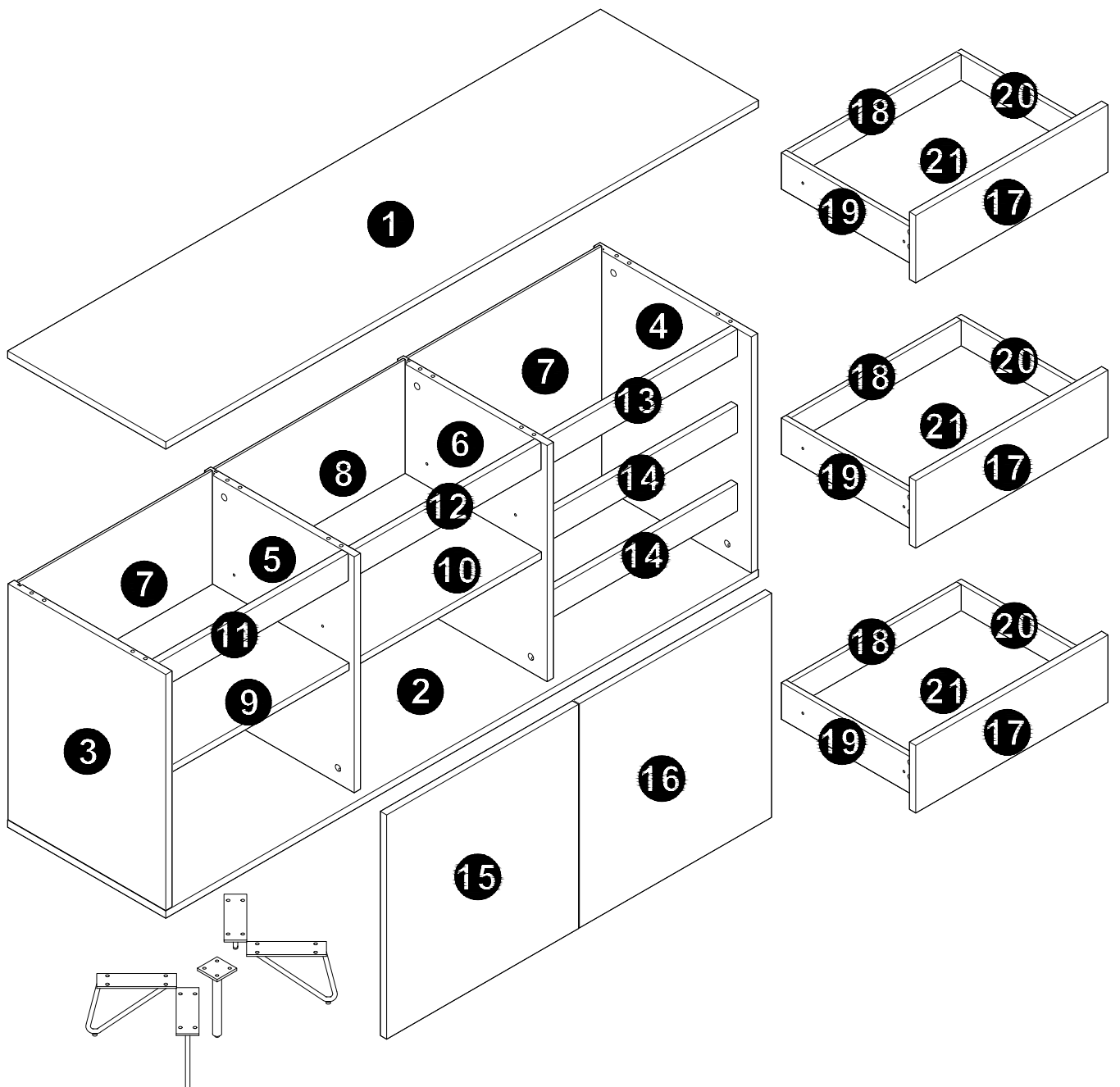


# PARTS LIST

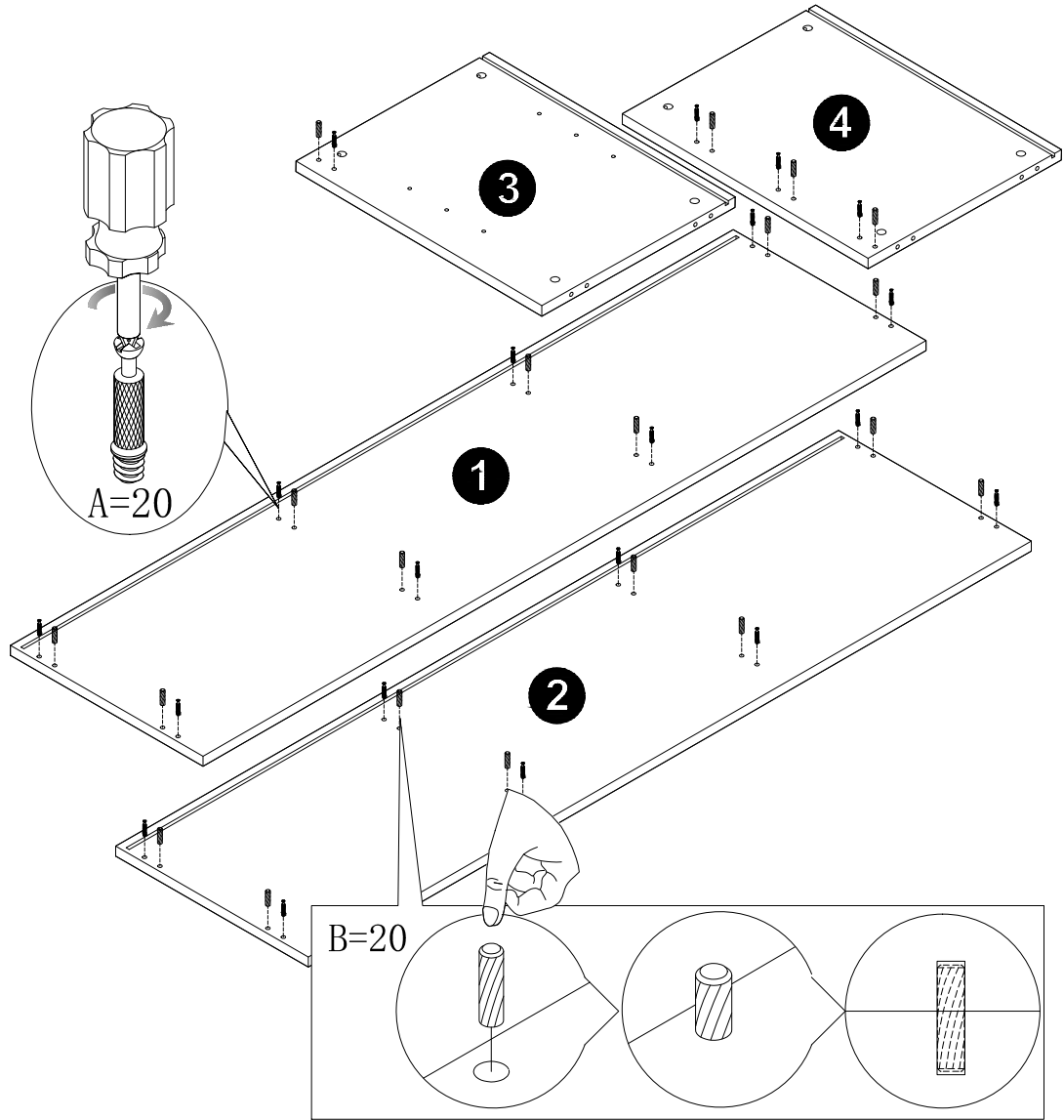
<b>A</b>  M6x40mm 20pcs	<b>B</b>  8x30mm 20pcs	<b>C</b>  Ø15x12mm 20pcs	<b>E</b>  12ps	<b>F</b>  1pc
<b>G</b>  M6x15mm 20pcs	<b>H</b>  M4 1pc	<b>I2</b>  V2=12pcs I2=2pcs	<b>I3</b>  V2=12pcs I3=2pcs	<b>J-1</b>  4pcs
<b>J-2</b>  1pc	<b>L</b>  8pcs	<b>N</b>  3pcs	<b>O</b>  M6x34mm 31pcs	<b>P</b>  Ø12x10.5mm 31pcs
<b>V1</b>  M3.5x12 36pcs	<b>Z1</b>  20pcs	<b>Z2</b>  20pcs		

Panel No	Panel Sizes	Quantity
1	1500*400*16	1
2	1500*400*16	1
3	518*399*16	1
4	518*399*16	1
5	518*382*16	1
6	518*382*16	1
7	528*491*5	2
8	528*482*5	1
9	478*345*16	1
10	469*345*16	1
11	481*60*16	1

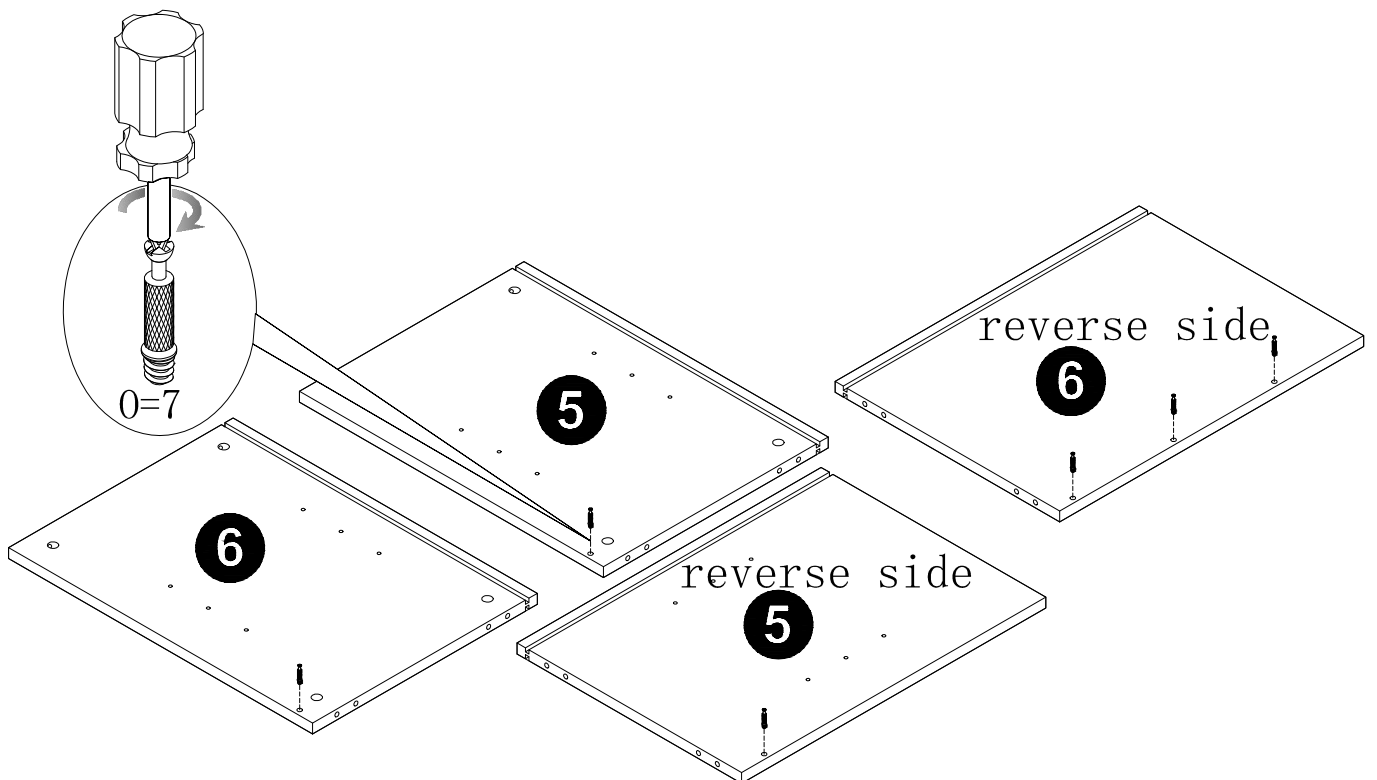
Panel No	Panel Sizes	Quantity
12	472*60*16	1
13	481*60*16	1
14	481*60*16	2
15	492*486*16	1
16	492*486*16	1
17	486*148*16	3
18	437*80*12	3
19	350*80*12	3
20	350*80*12	3
21	447*348*5	3



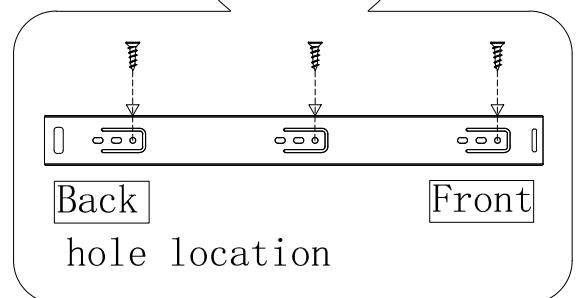
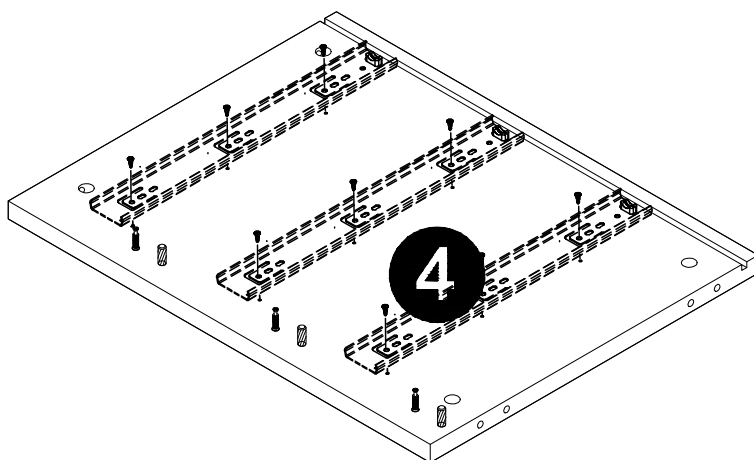
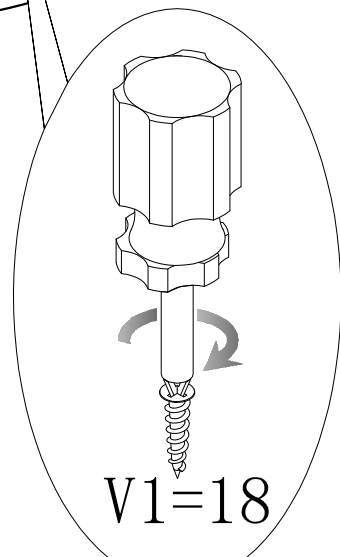
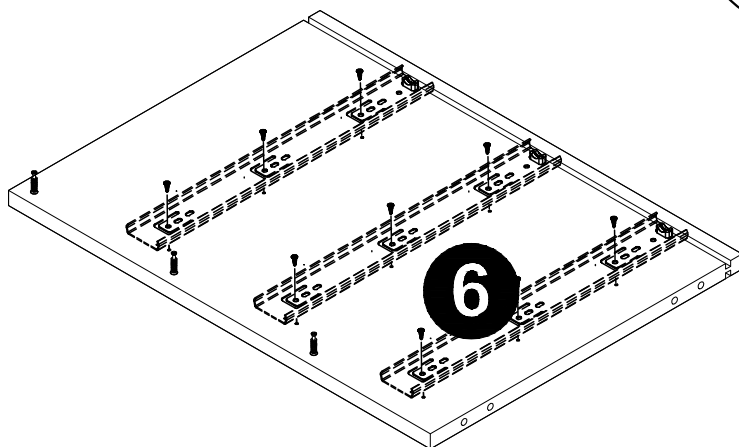
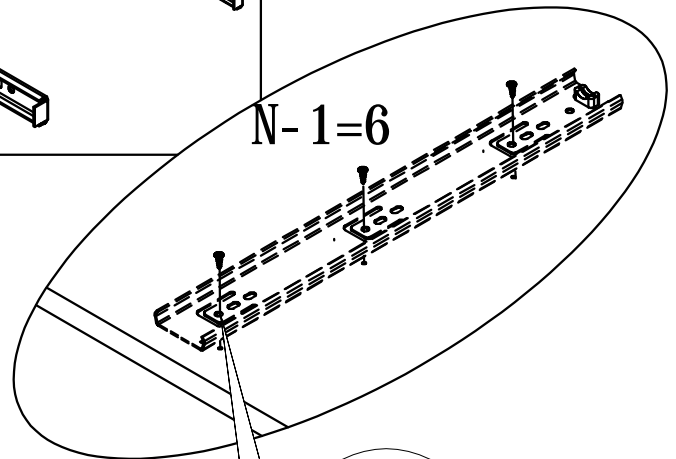
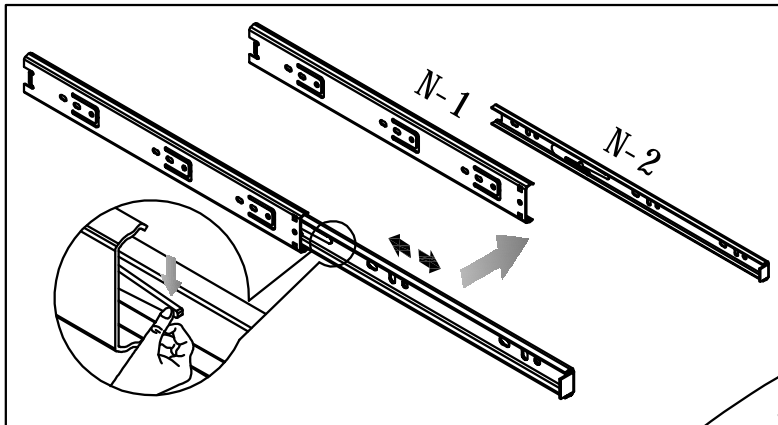
STEP 1: Fix dowel (B) and cam pin (A) to panel (1) (2) (3) (4).



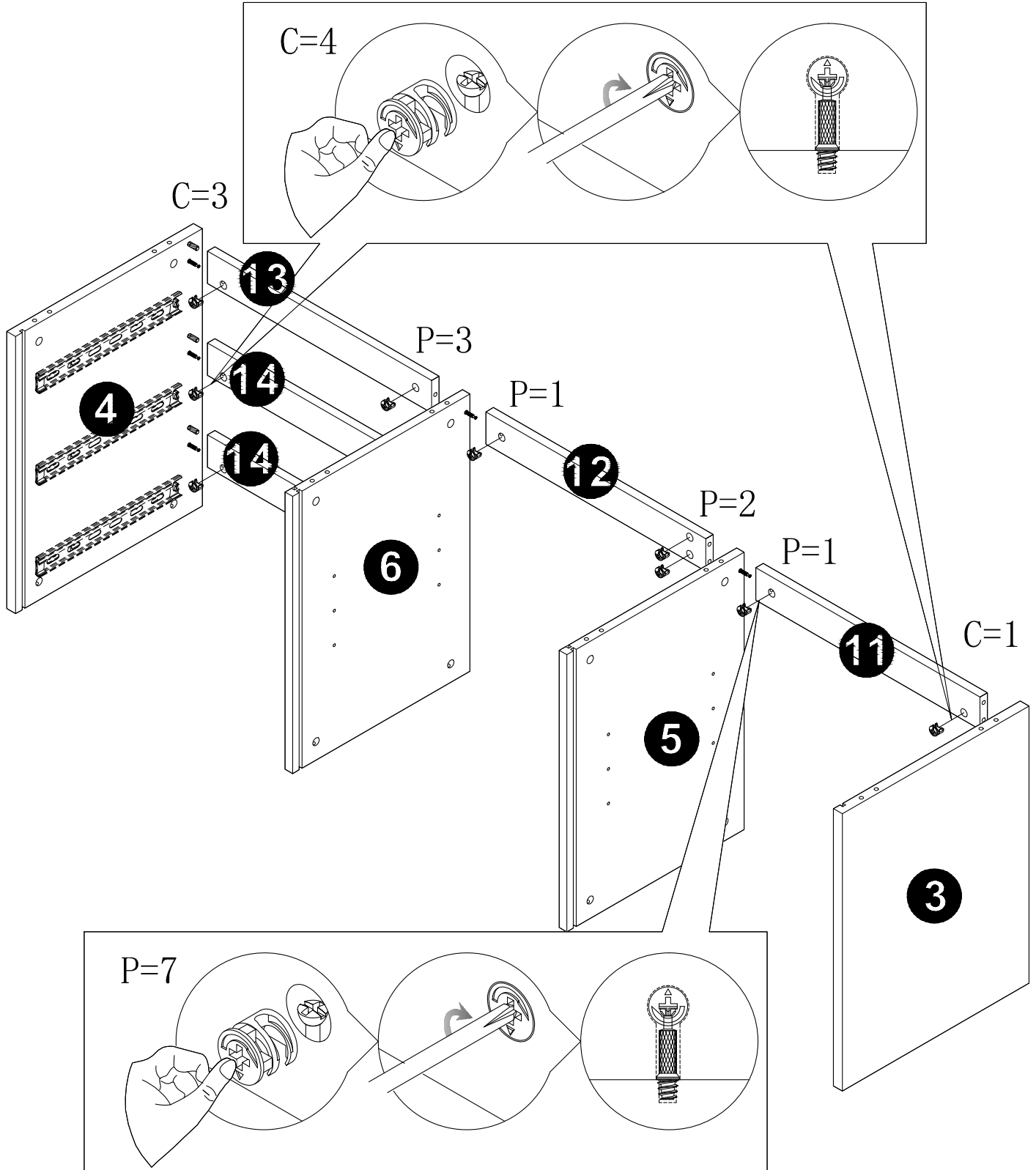
STEP 2: Fix cam pin (O) to panel (5) (6).



STEP 3: Fix rails (N-1) to panel (4) (6) with screw (V1) .



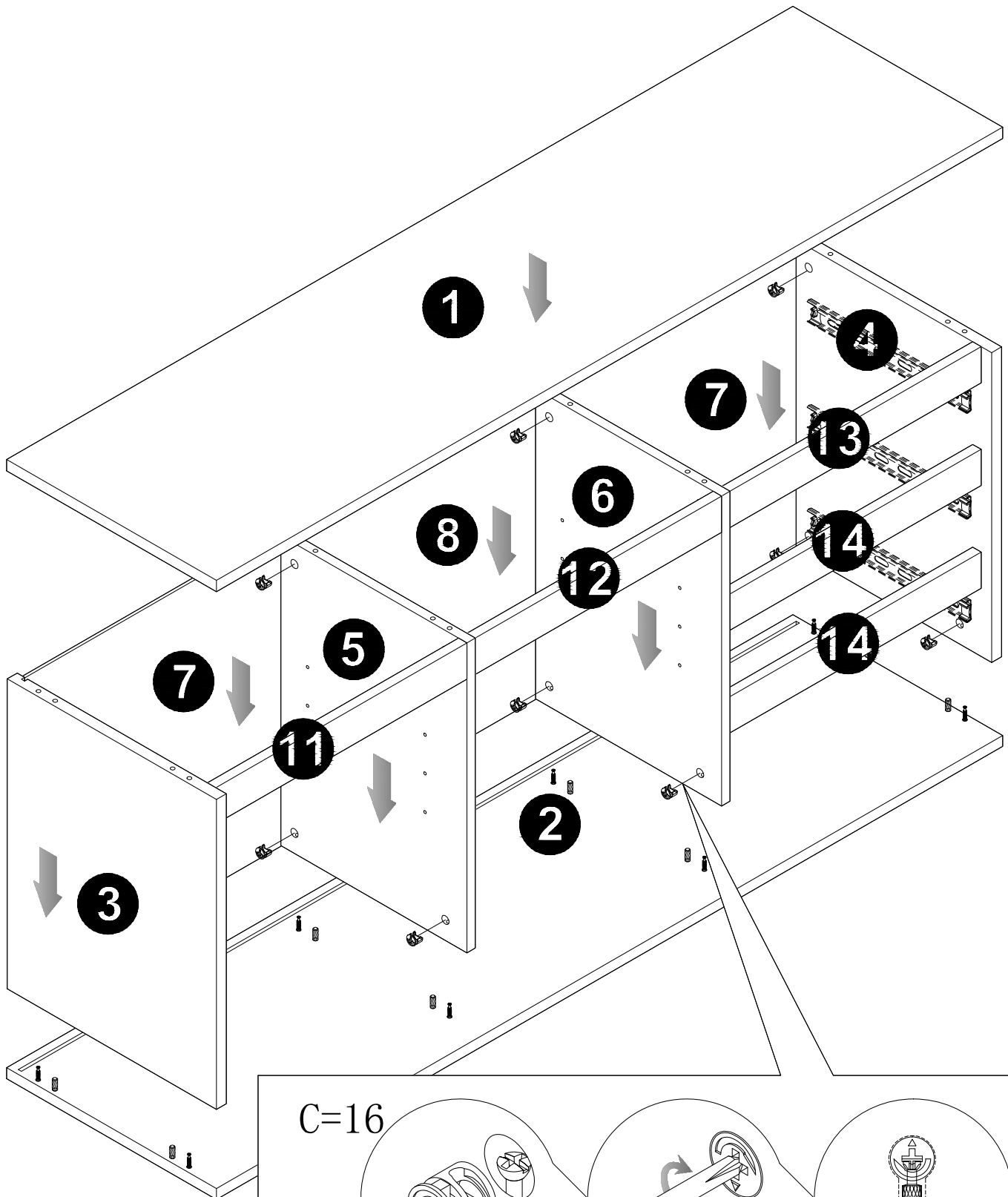
STEP 4: Fix panel (11) (13) (14) to panel (3) (4) with cam lock (C)  
Fix panel (11) (12) (13) (14) to panel (5) (6) with cam lock (P).



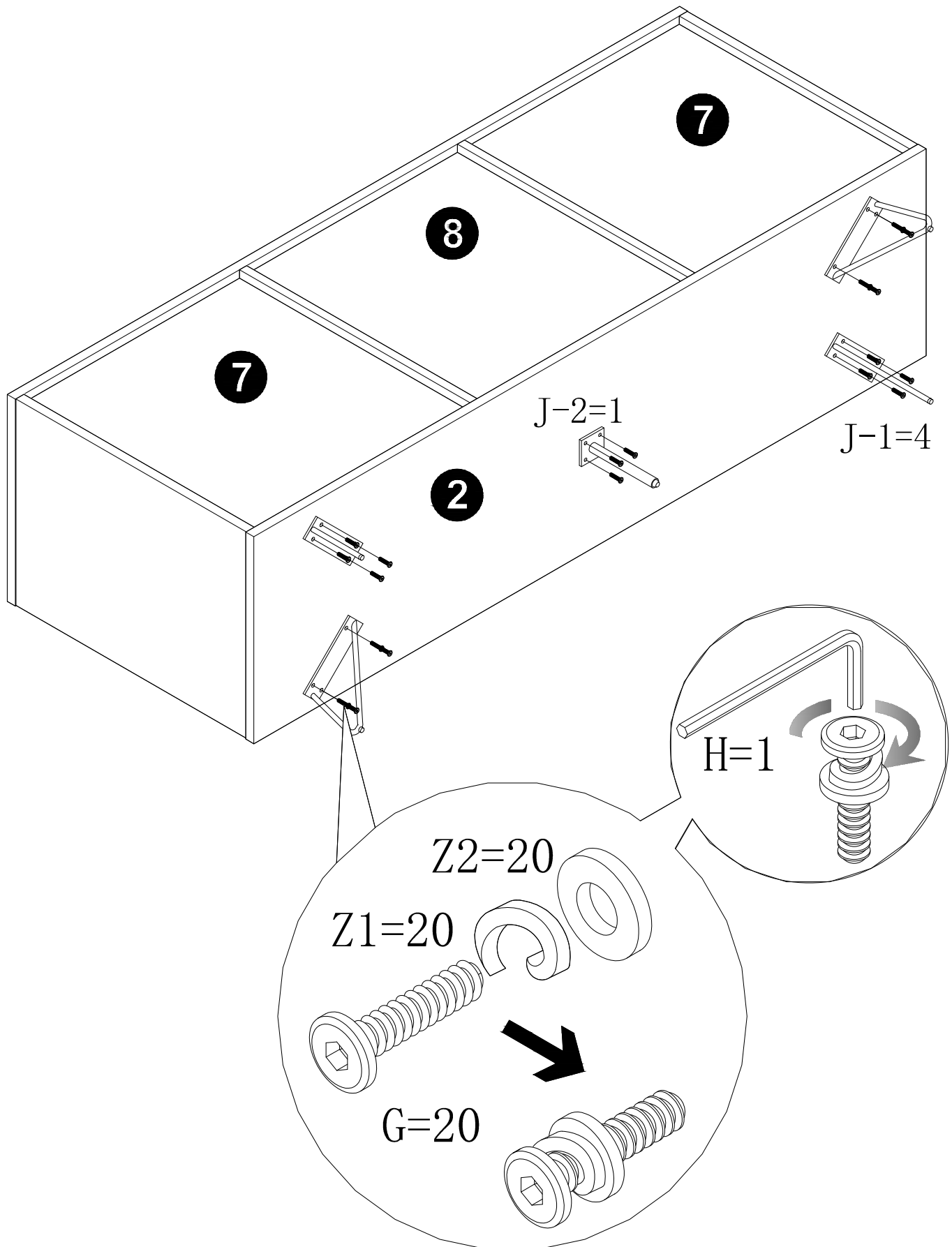


STEP 5: Insert panel (7) (8) into grooves between panel (3) (4) (5) (6).

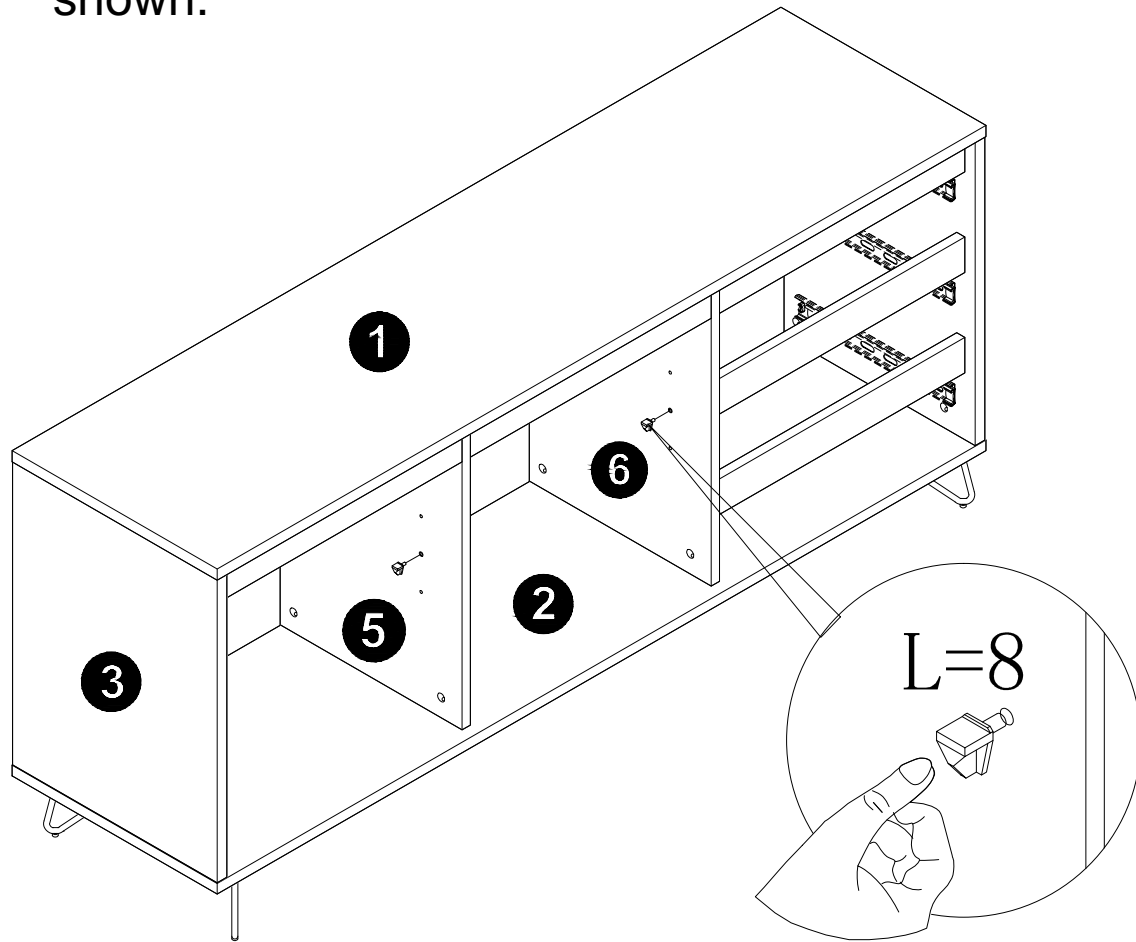
Fix panel (1) (2) to panel (3) (4) (5) (6) with cam lock (C).



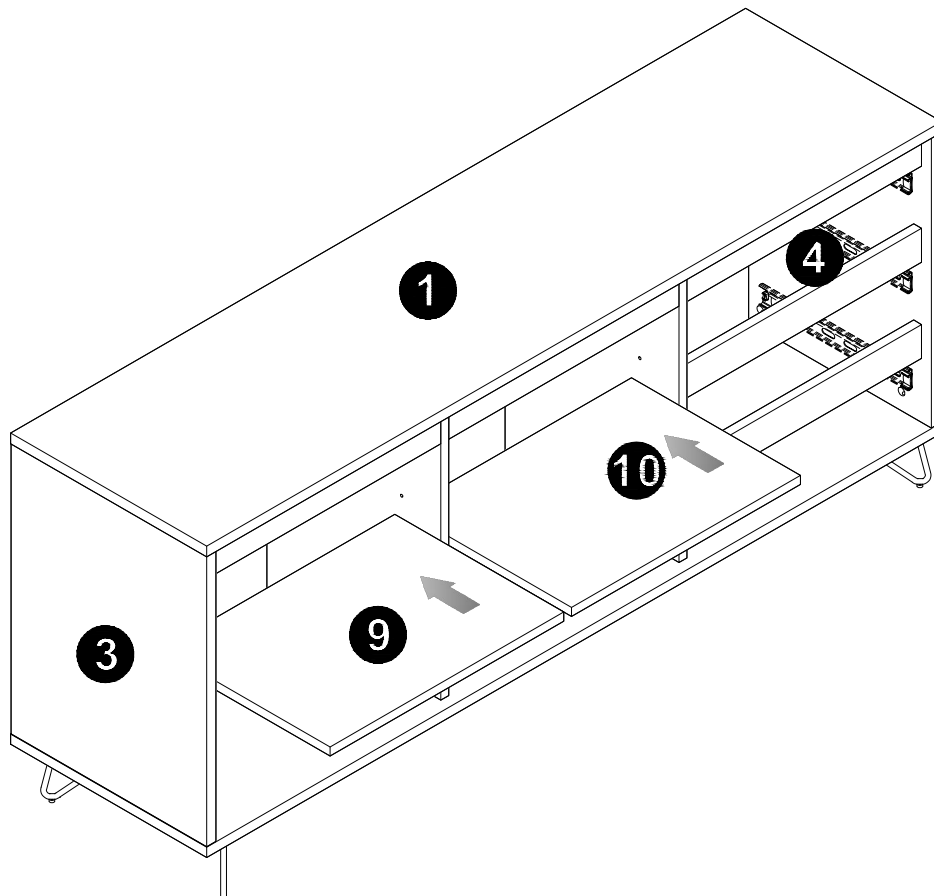
STEP 6: Fix metal leg (J-1) (J-2) to bottom panel (2) with bolt (G), lock washer (Z1), washer (Z2). Using allen key (H) to fix 100% as shown.



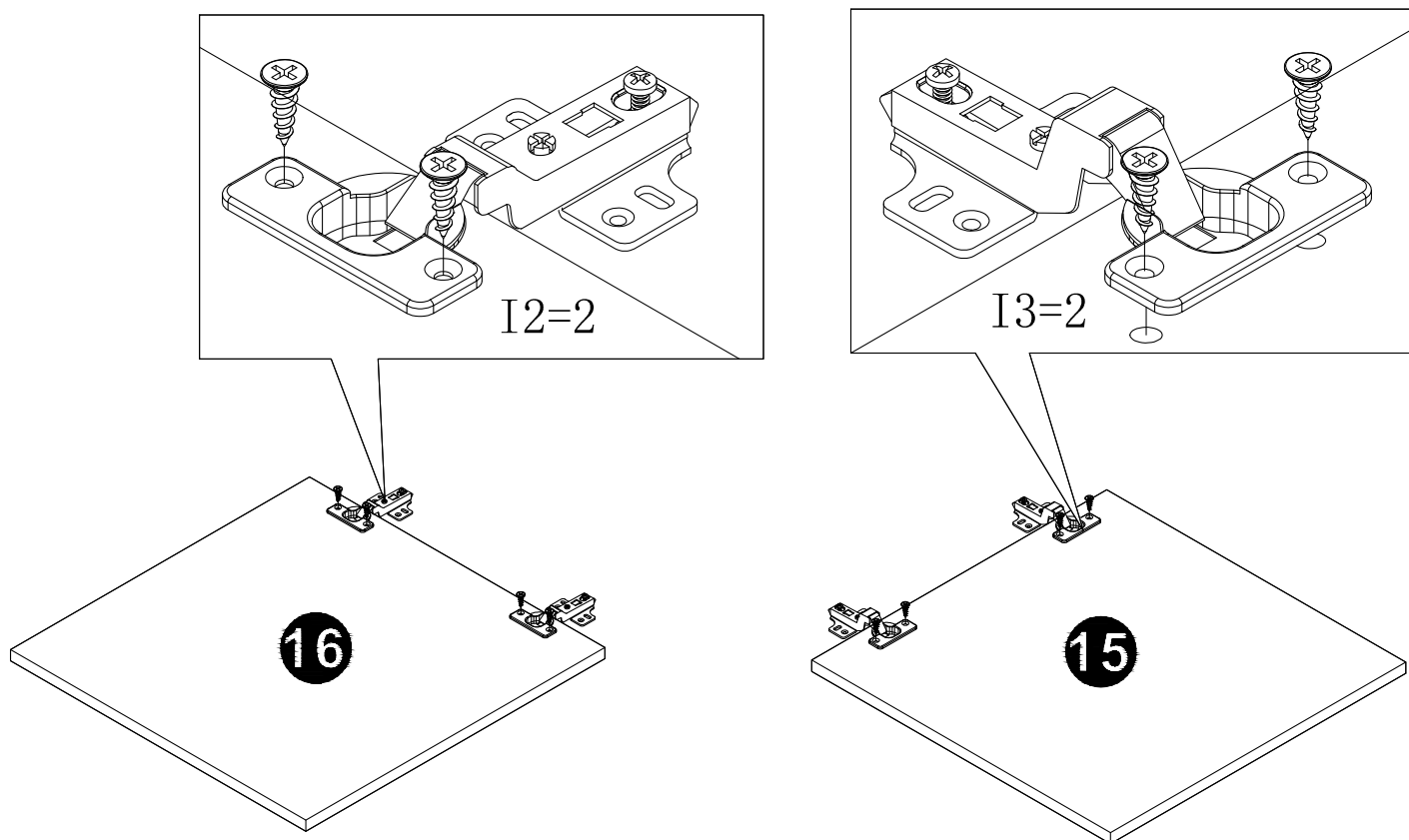
STEP 7: Insert the shelf support (L) into the panel (3) (5) (6), as shown.



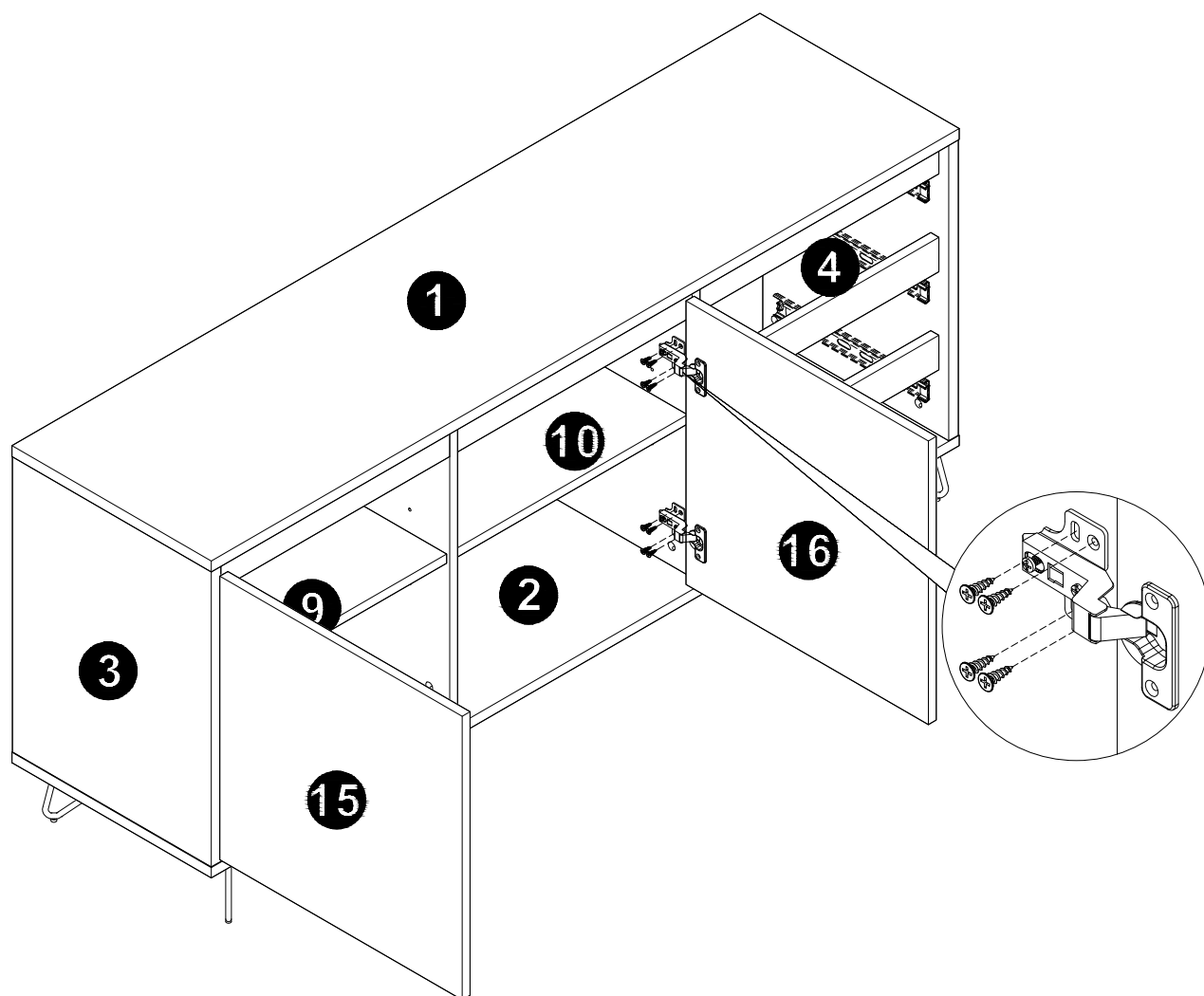
STEP 8: Put the panel (9) (10) on the shelf support.



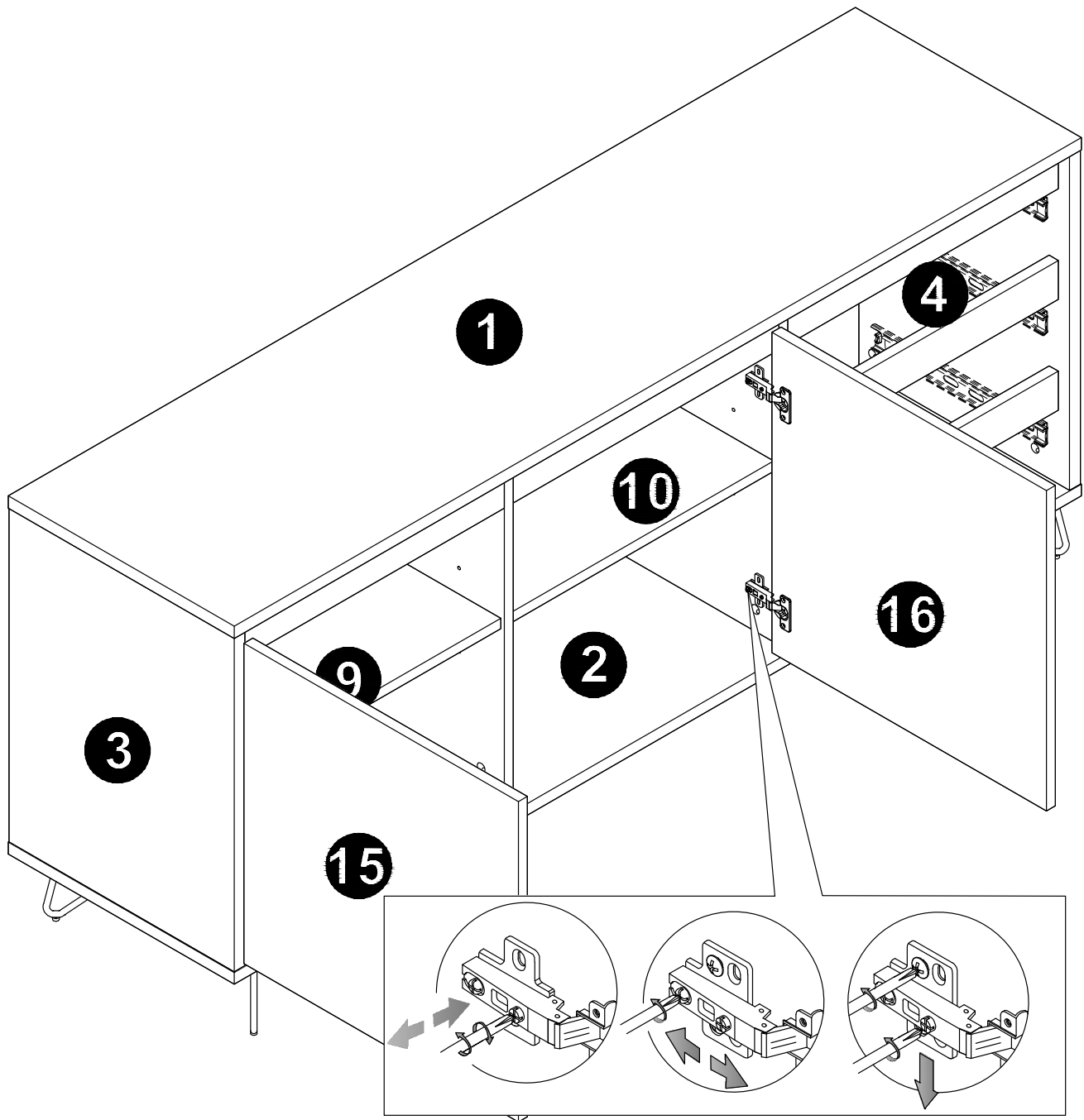
STEP 9: Attach hinge (I2) (I3) to panel (15) (16) with screw (V2).



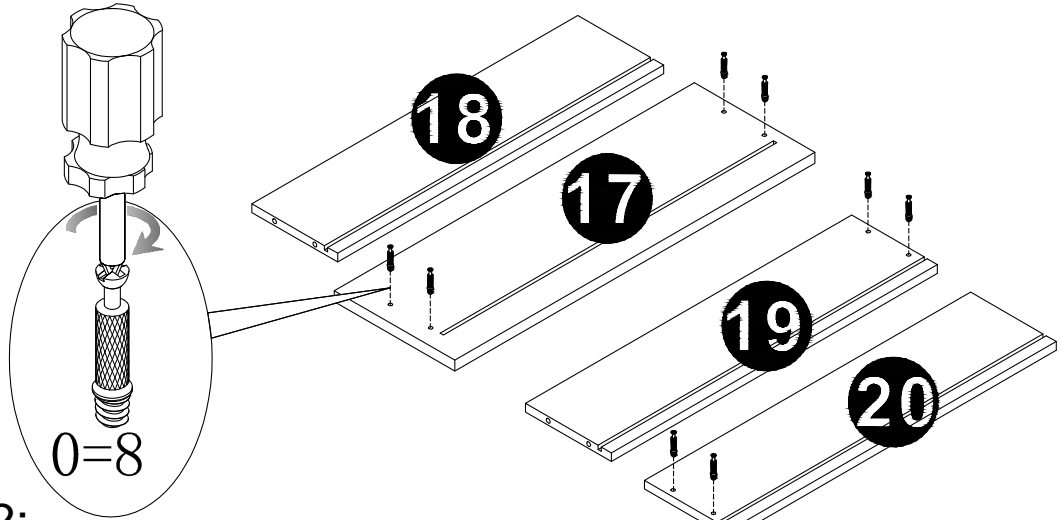
STEP 10: Fix door panel (15) (16) to panel (3) (6) with screw (V2).



STEP 11: Adjust to proper position.

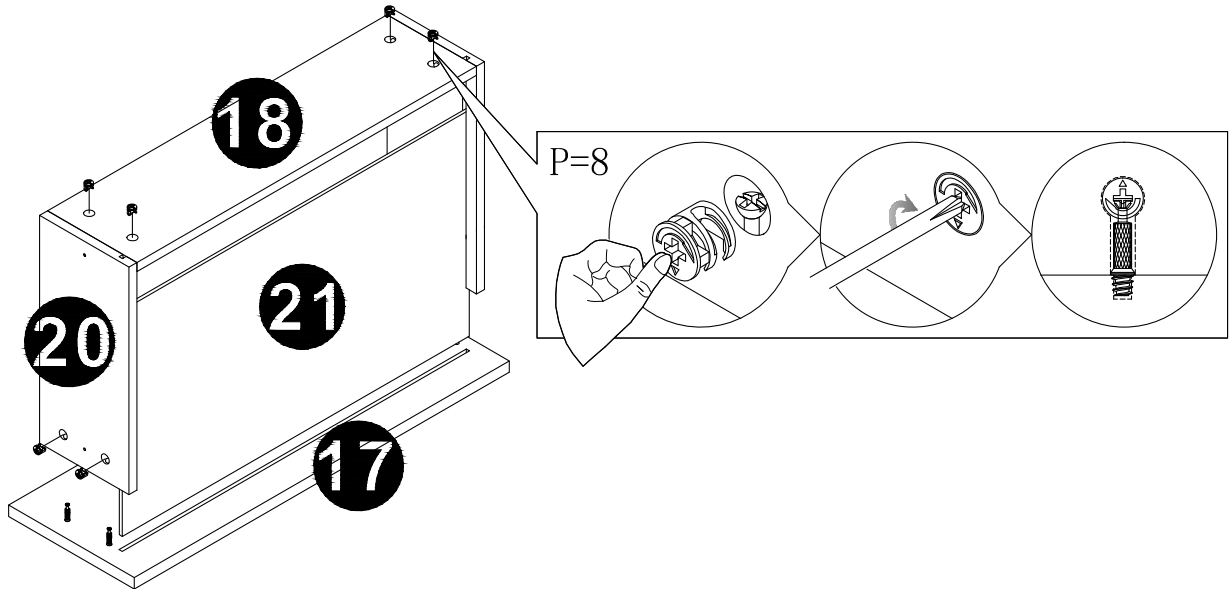


STEP 12-1: Fix cam pin (O) to panel (17) (18) (19) (20).

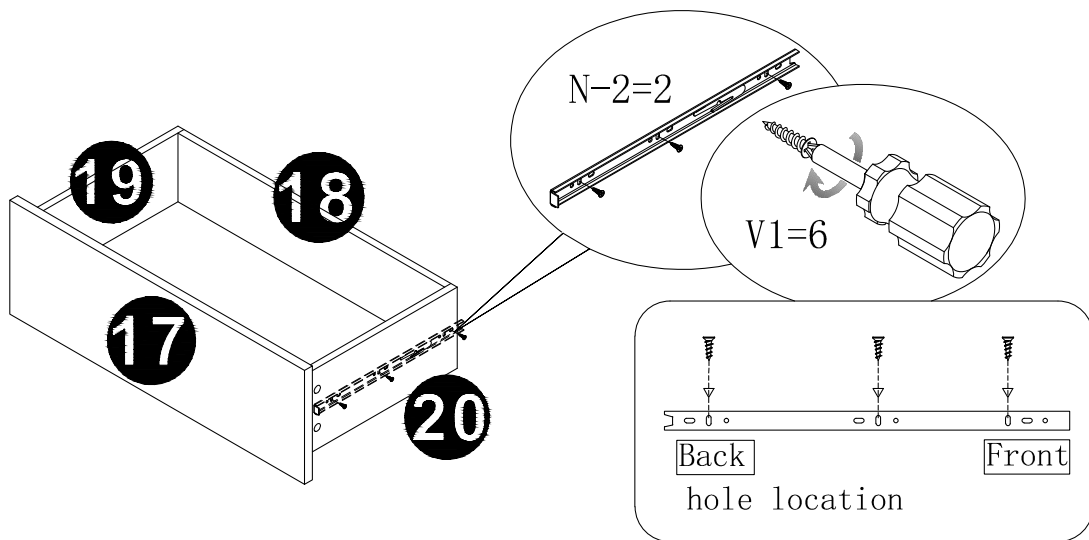


STEP 12-2:

Fix panel (18) to panel (19) (20) with cam lock (P).  
 Insert panel (21) into grooves between panel (18) (19) (20).  
 Fix panel (19) (20) to panel (17) with cam lock (P).

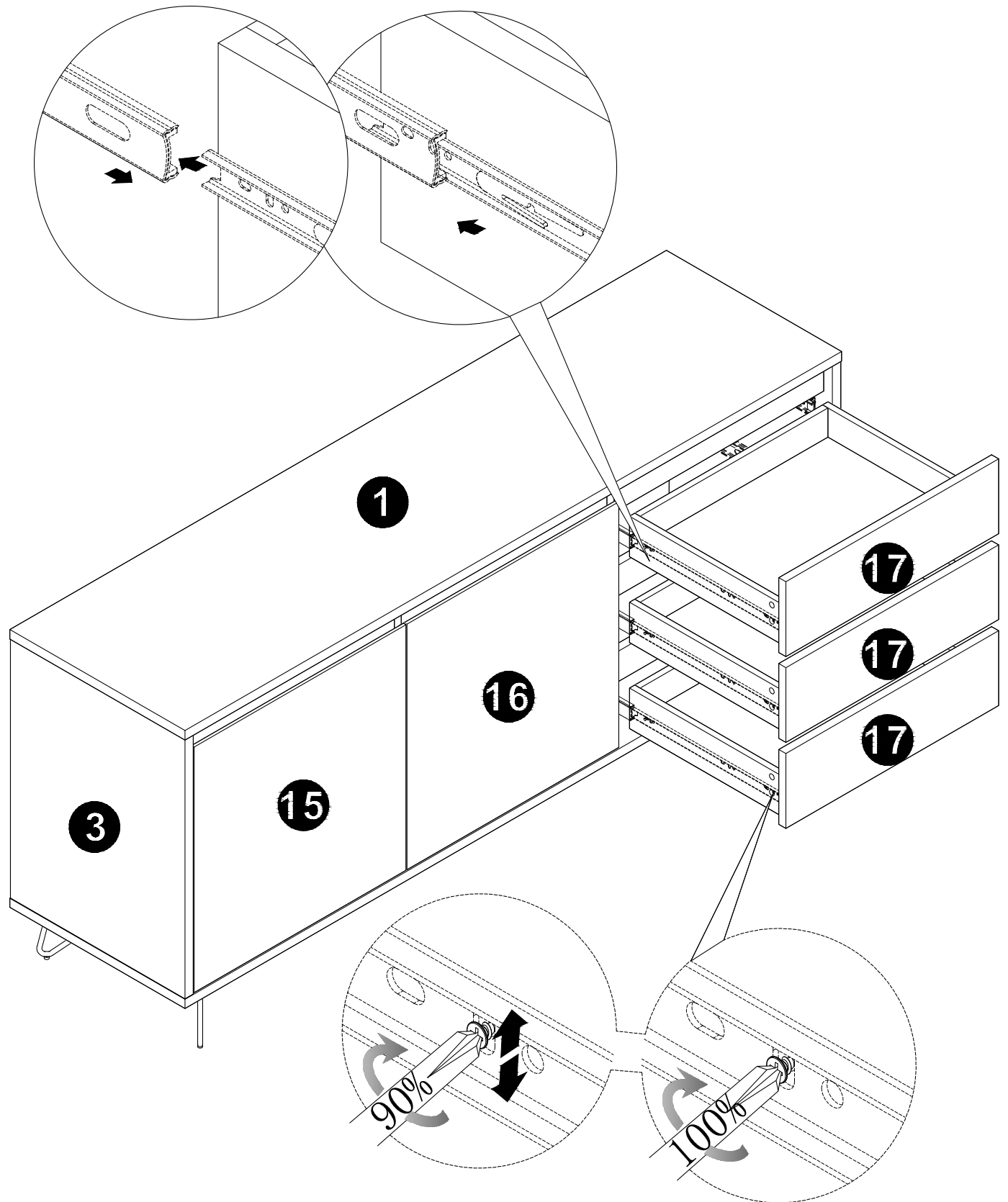


STEP 12-3: Fix rails (N-2) to panel (19) (20) with screw (V1)

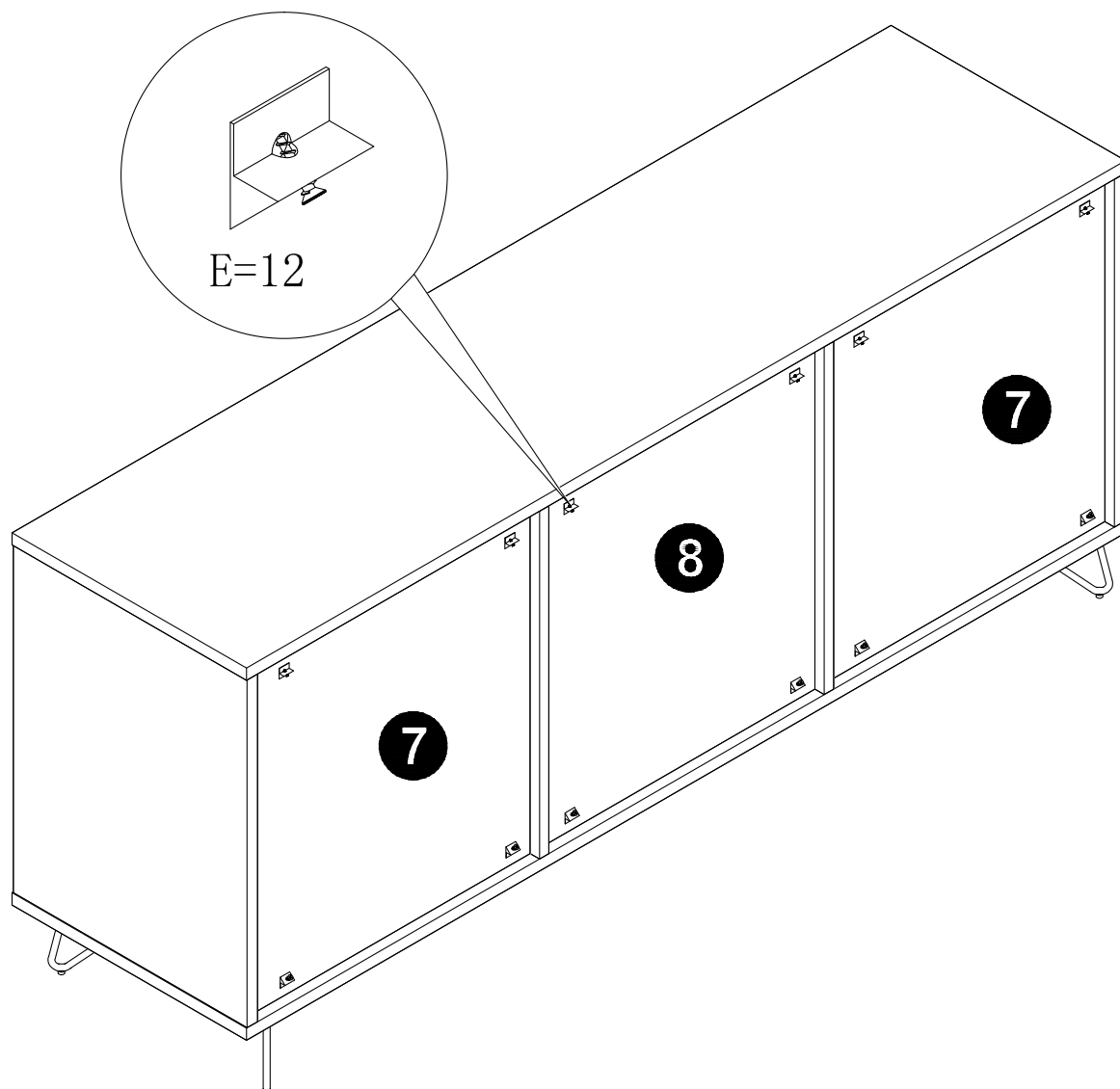


X3

# STEP 13: Adjust to proper position.



STEP 14: Insert the back panel hook (E) into the back and using screw to fix , as shown.

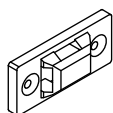




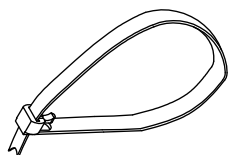
# SAFETY BRACKETS INSTRUCTIONS

1. Attach one Mounting Plate to the wall with the Large Screws. Make sure to attach the Mounting Plate into a stud. If mounting into brick or masonry you will need to acquire wall anchors.
2. Attach the second Mounting Plate to the furniture frame with the Short Screws.
3. Move the furniture to its final position. Thread a Wall Strap through the both Mounting Plates and tighten until snug. Do not over tighten.
4. Make sure that the Mounting Plates are firmly attached to the wall and furniture and that the Wall Strap is snug.

## HARDWARE



Mounting Plate x 2



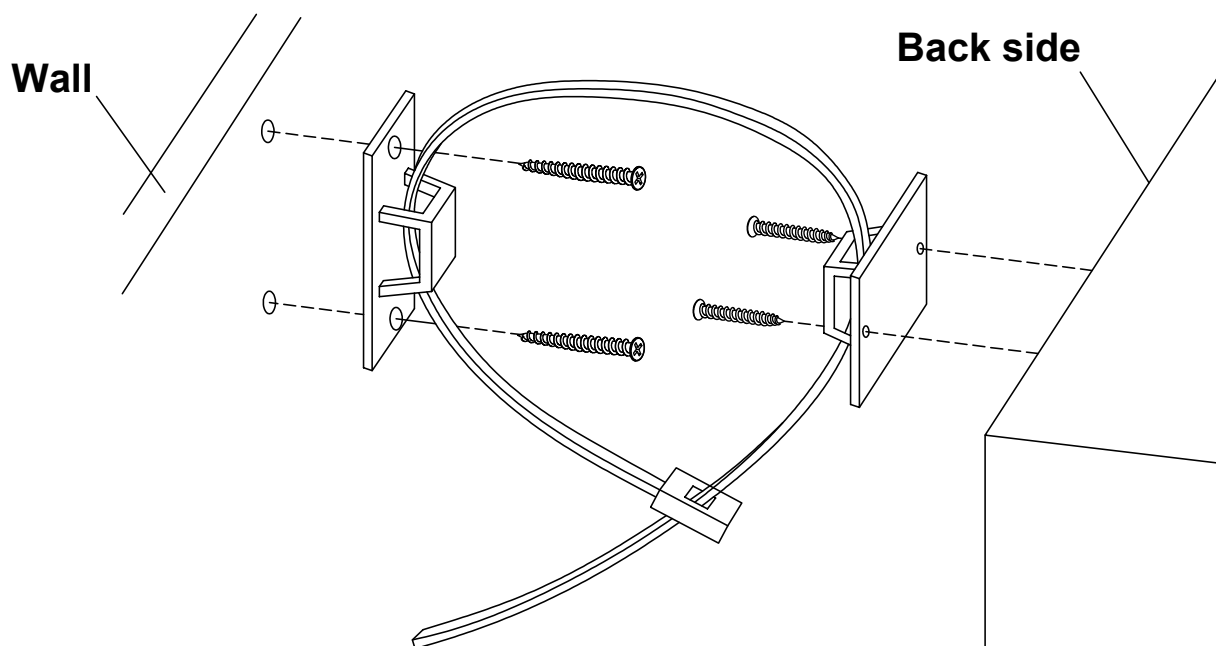
Wall Strap x 1



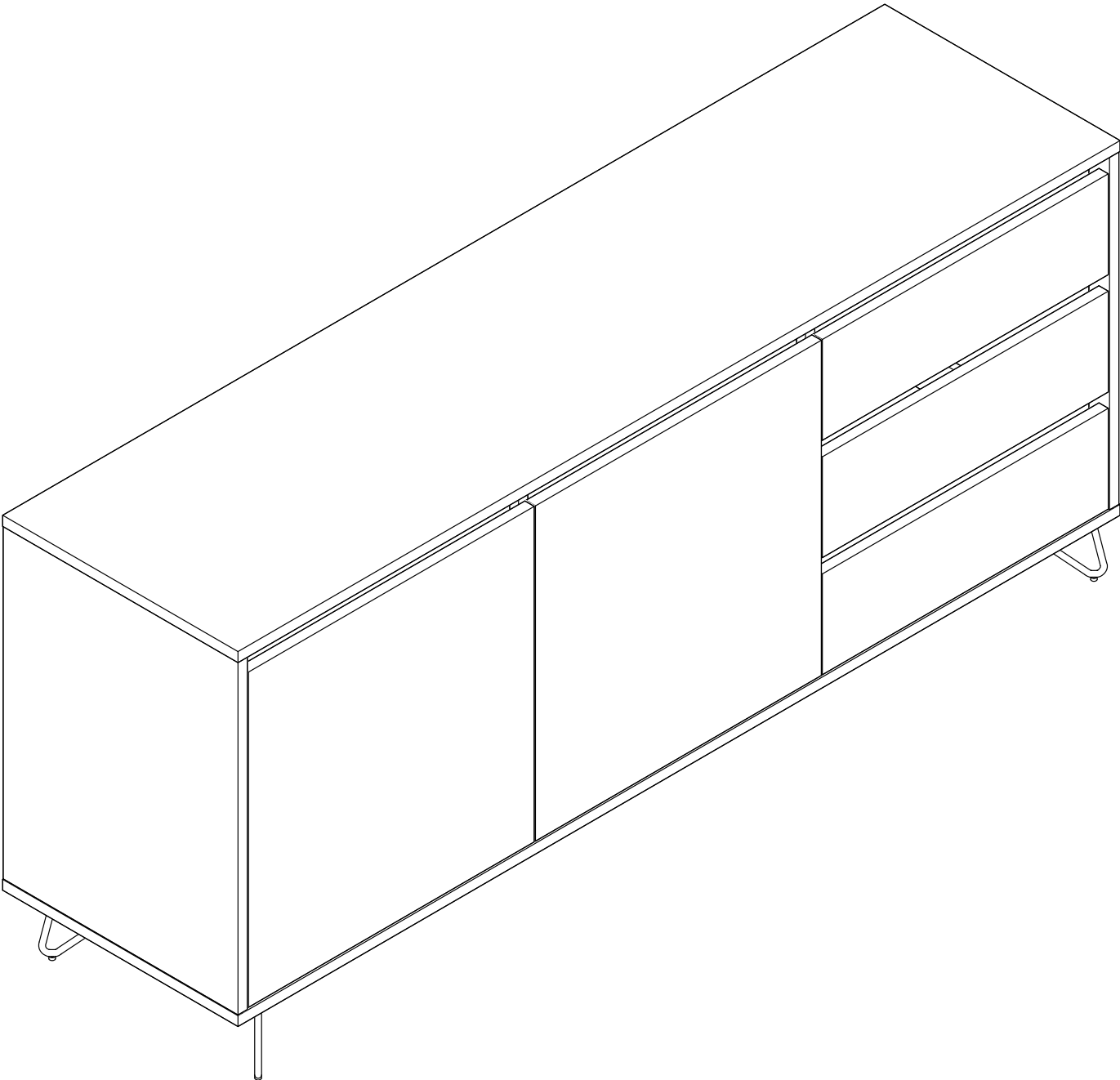
Large Screw x 2



Small Screw x 2



ASSEMBLY COMPLETE

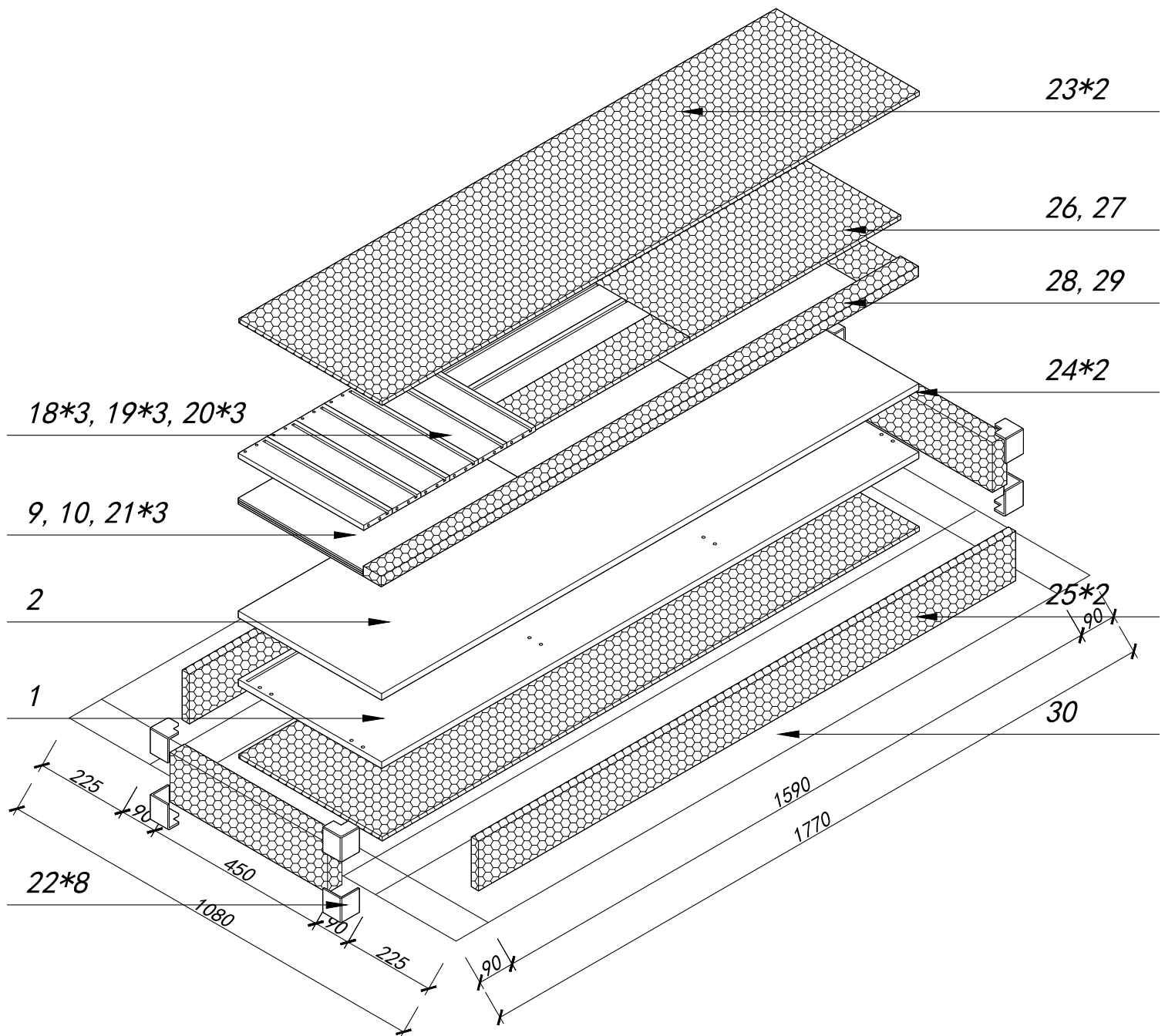


## **To protect your furniture, we suggest the following:**

- Avoid placing your furniture in direct sunlight.
- Do not place furniture directly under windows.
- Do not place sharp materials (knife, fork, etc.) directly onto your furniture as sharp material may scrape and damage the finish.
- Do not place material with high temperature directly onto the surface of your furniture.
- Cleanup spills quickly. Water left over a prolonged period of time may cause damage. Alcohol, perfume, nail polishes, aftershave and some medication may cause severe finish damage if not cleaned immediately.
- Use a clean, soft, dry, lint free absorbent cloth to clean your furniture. Do not use any detergent as they may contain ingredients that may react and damage the finish.

**NOTE:** If the above care advise is not adhered to your product warranty may become void

# 艾丽餐边柜（三胺艾丽脚）包装图1



Panel No		Panel Sizes	Quantity
22	护角	50*50*40	8
23	泡沫	1500*400*10	2
24	泡沫	440*80*40	2
25	泡沫	1500*80*20	2
26	泡沫	582*350*10	1
27	泡沫	437*110*10	1
28	泡沫	1500*50*25	1
29	泡沫	350*105*15	1
30	纸盒	内径1590*450*90	1

